

Ex e HV TAPE ARMOUR GLANDS



Ex e HV Tape Armour Petro Gland

Ex e HV Tape Armour Municipal Gland

CERTIFICATION



I.A N° S/10-367U

Ex e HV Tape Armour
Municipal Gland
&
Ex e HV Tape Armour
Petro Gland

Ex e I/II/III
Ex tD IP68

IEC / SANS 60079-0
IEC / SANS 60079-7
IEC / SANS 61241

Zones: 1, 2, 20, 21 & 22

FEATURES & BENEFITS

- **Two Ranges available:**
 - Ex e HV Tape Armour Municipal Glands
 - Ex e HV Tape Armour Petro Glands.
- **Fully certified for use with Ex e Apparatus Zone 1, 2, 20, 21 & 22.**
- **IP 68 rated.**
- **Available in sizes 5, 6, & 7 to fit 35 mm² - 300 mm² x 3 core lead sheathed tape armoured cable.**
- **Accessories available.**

POLICY STATEMENT

"The performance of our products must exceed all others on the world market"

K.G.M. Pratley
CEO

PRATLEY Ex e HV TAPE ARMOUR GLANDS

Ex e HV TAPE ARMOUR MUNICIPAL GLAND

Ex e HV TAPE ARMOUR PETRO GLAND

Specially designed for high voltage tape armoured lead sheathed cable.

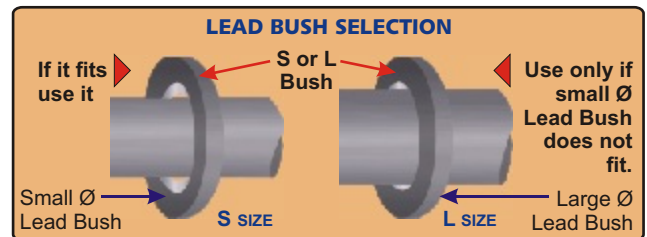
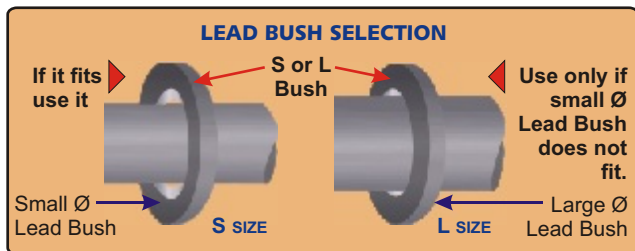
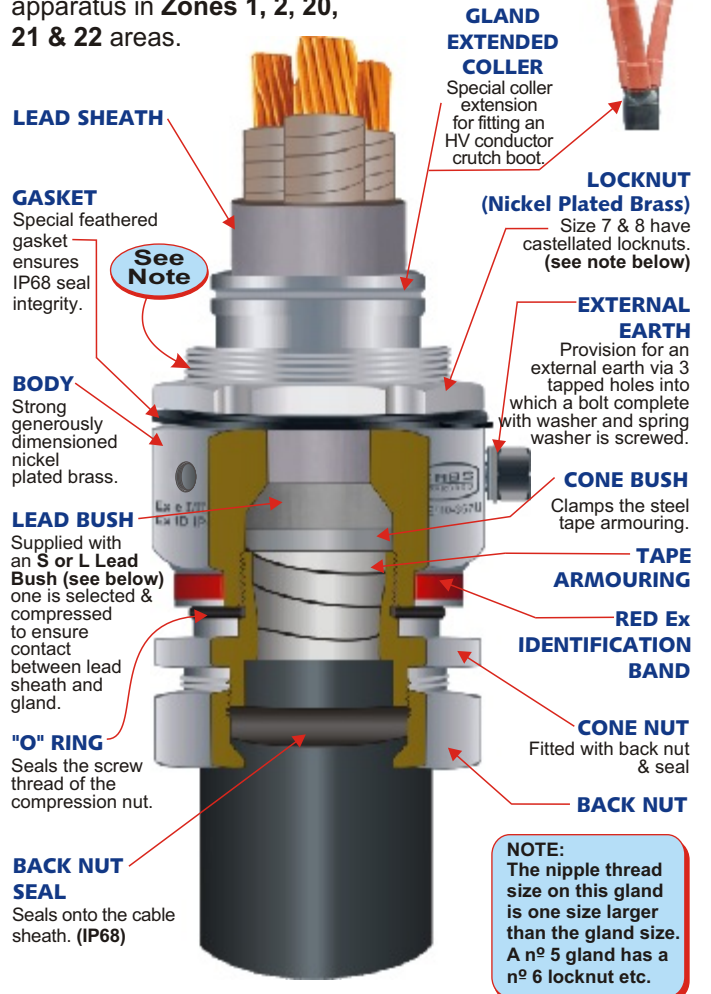
Supplied complete with Waterproofing Shroud, Nipple Gasket & Brass Lock Nut.

Will maintain IP68 rating of enclosure. Fully certified to SANS and IEC specifications for use on Ex e I / II / III apparatus in Zones 1, 2, 20, 21 & 22 areas.



Specially designed for high voltage tape armoured lead sheathed cable as used in the Petro chemical industry.

It has a Back Nut Seal and a special nipple extension for fitting a HV conductor crutch boot. Supplied with Nipple Gasket, Brass Lock Nut, M10 bolt, washer & Spring washer to attach earth wire to gland (Lug not supplied). Will maintain IP68 rating of enclosure. Fully certified to SANS and IEC specifications for use on Ex e I / II / III apparatus in Zones 1, 2, 20, 21 & 22 areas.



GLAND SIZE SELECTION

These glands are intended for use with cables complying with SANS 1507 or similar.

GLAND SIZE SELECTION CHART - Ex e HV TAPE TAPE ARMOUR GLANDS				
Gland size	Catalogue Number	Nipple Thread	Min. Lead Bedding Dia.	Max. Lead Bedding Dia.
5	77205	M50 x 1.5P	36.0 mm	45.0 mm
6	77206	M63 x 1.5P	44.5 mm	55.0 mm
7	77207	M75 x 1.5P	55.0 mm	63.0 mm

Use catalogue Number when ordering.

GLAND SIZE SELECTION

These glands are intended for use with cables complying with SANS 1507 or similar.

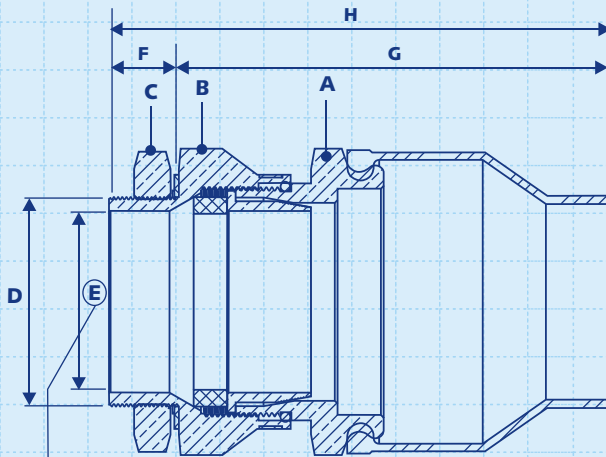
Note: Nipple Thread size is one size larger than the gland size.

GLAND SIZE SELECTION CHART - Ex e HV TAPE TAPE ARMOUR GLANDS				
Gland size	Catalogue Number	Nipple Thread	Min. Lead Bedding Dia.	Max. Lead Bedding Dia.
5	77305	M63 x 1.5P	36.0 mm	45.0 mm
6	77306	M75 x 1.5P	44.5 mm	55.0 mm
7	77307	M90 x 1.5P	55.0 mm	63.0 mm

Use catalogue Number when ordering.

DIMENSIONS & SPECIFICATIONS

Ex e HV TAPE ARMOUR MUNICIPAL GLAND



Use this dimension to establish maximum cable size gland can accommodate. Lead Sheath must pass through.

SPECIFICATION GUIDE

The Ex e HV Tape Armour Municipal Gland must:

- Comply with SANS 60079-0, SANS 60079-7 & SANS 61241.
- Make use of a self-centering loose cone to clamp the tape armouring.
- Have a red identification band.
- Supplied complete with waterproofing shroud, nipple gasket & castellated locknut.

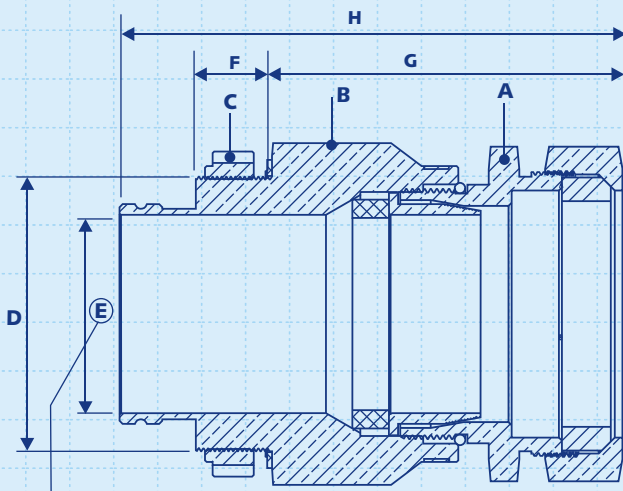
DIMENSIONS (mm)				
Gland size		5	6	7
A - Compression Nut	A/F	70.0	82.5	95.0
	A/C	77.7	92.8	107.2
B - Body	A/F	70.0	82.5	95.0
	A/C	77.7	92.8	107.2
C - Locknut	A/F	63.0	80.0	90.0
	A/C	70.3	89.9	101.4
D - Nipple Thread		M50 x 1.5P	M63 x 1.5P	M75 x 1.5P
E - Nipple Bore Ø		45.0	55.1	65.0
F - Nipple Length		25.0	25.0	25.0
G - Max. Protrusion		129.0	133.0	154.0
H Overall Length		154.0	159.0	180.0

All dimensions in millimeters.

PACKAGING DATA

Gland size	5	6	7
Glands per bag	1	1	1
Weight (kg)	1.35	1.83	2.74

Ex e HV TAPE ARMOUR PETRO GLAND



Use this dimension to establish maximum cable size gland can accommodate. Lead Sheath must pass through.

SPECIFICATION GUIDE

The Ex e HV Tape Armour Petro Gland must:

- Comply with SANS 60079-0, SANS 60079-7 & SANS 61241.
- Make use of a self-centering loose cone to clamp the tape armouring.
- Have a red identification band.
- Have a back nut seal to seal between the gland and the outer sheath of the cable.
- Supplied complete with nipple gasket and castellated brass locknut.

DIMENSIONS (mm)				
Gland size		5	6	7
A - Cone Nut	A/F	70.1	82.5	95.0
	A/C	78.5	92.8	107.2
B - Body	A/F	70.1	82.5	97.0
	A/C	78.5	92.8	107.2
C - Locknut	A/F	80.0	90.0	107.0
	A/C	89.9	101.4	107.0
D - Nipple Thread		M63 x 1.5P	M75 x 1.5P	M90 x 1.5P
E - Nipple Bore Ø		44.6	55.1	65.0
F - Nipple Length		25.0	25.0	25.0
G - Max. Protrusion		106.0	126.0	112.0
H Overall Length		154.0	174.0	161.0

All dimensions in millimeters.

PACKAGING DATA

Gland size	5	6	7
Glands per bag	1	1	1
Weight (kg)	2.28	3.30	4.52

PRATLEY Ex e GLANDS FOR LEAD SHEATH CABLE & ACCESSORIES

Ex e HV Tape Armour Municipal & Petro Glands

PRATLEY Ex e MUNICIPAL HV TAPE ARMOUR GLANDS

Specially designed for high voltage tape armoured lead sheathed cable.

Supplied complete with Waterproofing Shroud, Nipple Gasket & Brass Lock Nut.

For use with Ex e apparatus in Zone 1, 2, 20, 21, & 22



PRATLEY Ex e MUNICIPAL HV TAPE ARMOUR GLANDS			
Gland size	5	6	7
Nipple Thread	M50	M63	M75
Catalogue No.	77205	77206	77207
Usual Pack Qty	1	1	1

PRATLEY Ex e PETRO HV TAPE ARMOUR GLANDS

Specially designed for high voltage tape armoured lead sheathed cable as used in the Petro Chemical Industry.

It has a Back Nut Seal and a special nipple extension for fitting a HV conductor crutch boot.

Supplied with Nipple Gasket, Brass Lock Nut, M10 bolt & star washer to attach earth wire to gland. (Lug not supplied).

For use with Ex e apparatus in Zone 1, 2, 20, 21, & 22



PRATLEY Ex e PETRO HV TAPE ARMOUR GLANDS			
Gland size	5	6	7
Nipple Thread	M63	M75	M90
Catalogue No.	77305	77306	77307
Usual Pack Qty	1	1	1

Note:
Nipple Thread size is larger than the gland size. (This is due to the special nipple extension for HV crutch boot).

PRATLEY Ex e Ultra Glands (See Sales Leaflet N° 002)

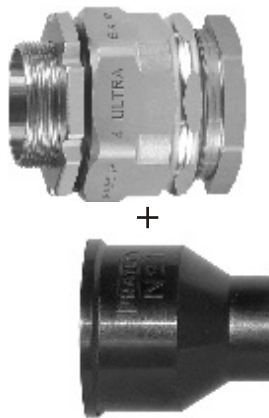
PRATLEY Ex e ULTRA GLAND

(See separate Sales Leaflet for this Gland)

This ultra high quality Ex e Fixed Nipple gland is for SWA lead sheathed cable.

Supplied complete with Lead Bush, high tensile Cone Ring, Cone Bush, Locknut and Shroud. Fully certified to SANS and IEC specifications for use with Ex e apparatus in Zone 1, 2, 20, 21, & 22 areas.

Note: When ordering glands please specify lead sheath diameter. (Must be physically measured with a vernier).



PRATLEY Ex e ULTRA GLAND FOR LEAD SHEATHED CABLE					
Gland size	0	1	2	3	4
Nipple Thread	M20	M20	M25	M32	M40
Catalogue No.	77160	77161	77162	77163	77164
Usual Pack Qty	10	10	10	10	5
Gland size	5	6	7	8	
Nipple Thread	M50	M63	M75	M82	
Catalogue No.	77165	77166	77167	77168	
Usual Pack Qty	1	1	1	1	

ACCESSORIES FOR Ex e GLANDS

NIPPLE SEALING GASKETS

Tough plastic gaskets incorporate a special face "feather" for perfect sealing.



TOUGH PLASTIC GASKETS (Black)						
Gasket size	20mm	25mm	32mm	40mm	50mm	63mm
Catalogue No.	39001	39002	39003	39004	39005	39006

Gasket size	75mm	16mm	Pg.13.5	Pg.16	25mm	Pg.21	Pg.29
Catalogue No.	39007	39008	39012	39010	39011	39013	39014
Usual Pack Qty.	100	100	100	100	100	100	100

BRASS LOCKNUTS

Nickel-plated Brass Locknut



Castellated Brass Locknuts sizes 7- 8



PRATLEY NICKEL-PLATED BRASS LOCKNUTS										
Size	00	0	1	2	3	4	5	6	7	8
Nipple Thread	16mm	20mm	20mm	25mm	32mm	40mm	50mm	63mm	75mm	3 1/4"
Catalogue No.	02879	02880	02880	02882	02883	02884	02885	02886	02118	02119