



With Black or Transparent Lid



BOTTOM ENTRY CABLE JUNCTION BOXES (Ex e/n & STANDARD)



(Shown fitted with Pratley
Enviroglands)

CERTIFICATION



IA CERTIFICATE N°
SABS S/05-190(R1)

Ex e/n • IP66/IP68

IEC / SANS 60079-0
IEC / SANS 60079-7
IEC / SANS 60079-15
IEC / SANS 61241
IEC / SANS 60529

Suitable for use in
Zone 1, 2, 20, 21 and 22.

FEATURES & BENEFITS

- Manufactured from tough engineering plastic.
- Fitted with raised dome lid (Black or Transparent).
- Complete with encapsulated internal earth.
- 3 x Threaded Bottom Entries.
- Waterproof.
- Can accommodate N35 Rail & Spacer.
- Encapsulated Earth Continuity Bar.

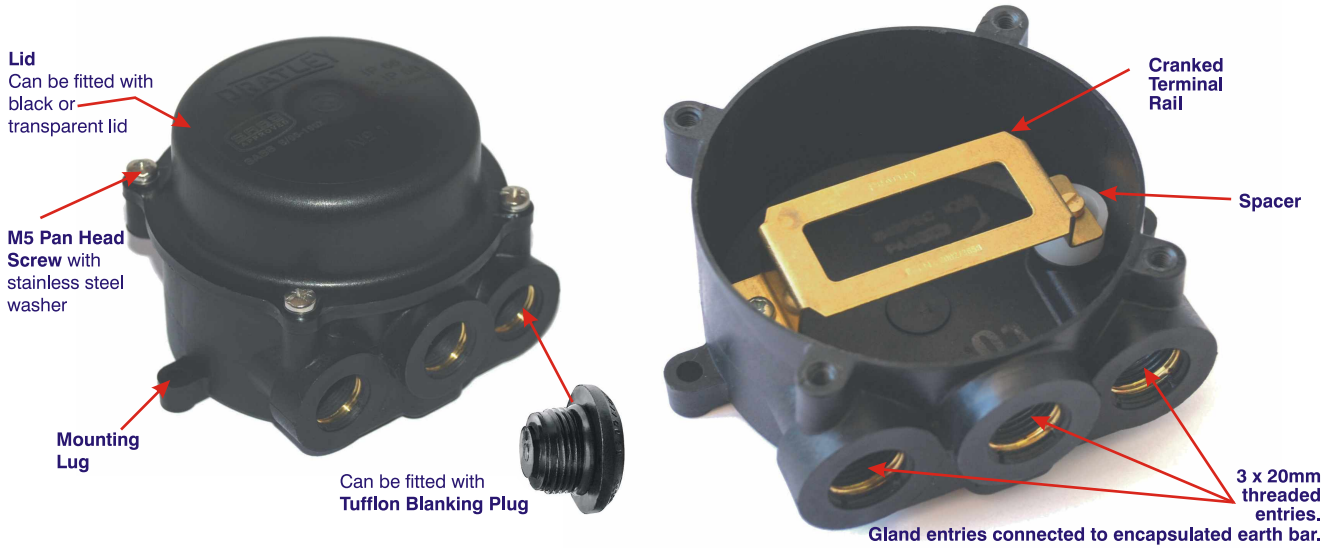
POLICY STATEMENT

"The performance of
our products must
exceed all others on
the world market"

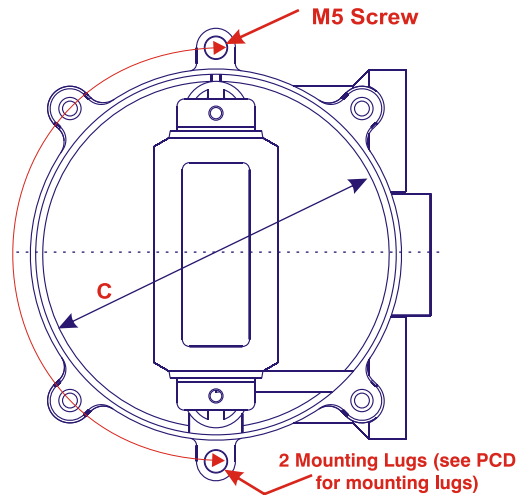
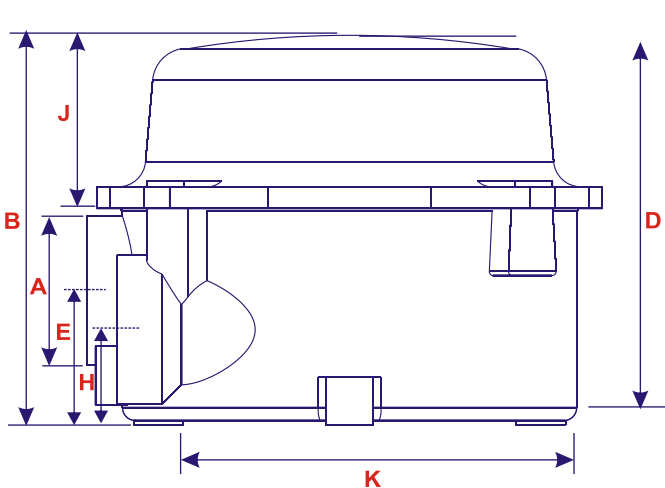
K.G.M. Pratley
CEO

PRATLEY BOTTOM ENTRY CABLE JUNCTION BOXES (Ex e/n & STANDARD)

This box is for use with armoured or unarmoured cable. Box comes standard with 3 x 20 mm threaded entries. Supplied complete with spacers and cranked terminal rail. Box must be fitted with Pratley Ex e Kwikbloks for Ex e applications. Pratley Non-sparking End Connectors may be used for Ex n applications.



PRATLEY BOTTOM ENTRY BOX DIMENSIONS & SPECIFICATIONS



PRATLEY BOTTOM ENTRY BOX DIMENSIONS

Size	A Entry Thread	B Overall Heigh	C Internal Diam.	D Internal Depth	E	H	J Lid Heigh	PCD for Mounting Lugs	K OD
1	20 x 1.5P	89.0	102.0	81.7	30.0	22.0	40.0	116.8	105.0

Box Size	NUMBER OF PRATLEY KWIKBLOKS® PER BOTTOM ENTRY BOX						
	IK3 750/800V 27A	IK5 750/800V 36A	IK10 750/800V 67A	IK16 750/800V 87A	IK25 750/800V 115A	IK50 750/800V 150A	IK70 750/800V 220A
↓	Ex e IK3 550V 15A	Ex e IK5 550V 21A	Ex e IK10 550V 37A	Ex e IK16 550V 47A	Ex e IK25 550V 63A	Ex e IK50 550V 98A	Ex e IK70 550V 121A
	Max.	Max.	Max.	Max.	Max.	Max.	Max.
1	8	8	6	5	N/A	N/A	N/A

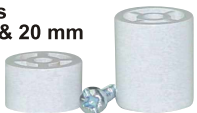
PRATLEY BOTTOM ENTRY BOXES WITH BLACK OR TRANSPARENT LID (3 x 20 mm THREADED ENTRIES)

BOX CONFIGURATION	Ex e/n(See Note*)		STANDARD(See Note*)	
	C/W BLACK LID CAT N°	C/W TRANSPARENT LID CAT N°	C/W BLACK LID CAT N°	C/W TRANSPARENT LID CAT N°
3 x 20mm Entries	57248	57249	57258	57259

★NOTE: When ordering specify Black or Transparent (Polycarbonate) see through lid.

Use catalogue no. when ordering

Spacers
10 mm & 20 mm



SPACERS	
Size	Cat. No.
10 mm	30001
20 mm	30000

Use catalogue no. when ordering

CRANKED BRASS TERMINAL RAIL

Box Size	N° 1
Catalogue Number	57267

Use catalogue no. when ordering



The unique design allows conductors to pass underneath.

PRATLEY TUFFLON BLANKING PLUGS

SIZE	THREAD SIZE	CAT N°	USUAL PACK QTY
0	20mm	57800	10
1	25mm	57801	10

Use catalogue no. when ordering



NOTE: Pratley Tufflon Blanking Plug (Must be ordered separately.)