



PRATLEY

www.pratley.com

ECONO-BOX



CERTIFICATION



MS CERTIFICATE N°
SABS S/06-401

**IP68
(2M Cont.)
IP66**

FEATURES & BENEFITS

- Economical
- Manufactured from tough engineering plastic.
- Fitted with raised dome lid (Black or Transparent).
- Complete with encapsulated internal earth.
- 4 x Threaded Entries.
- Lightweight.
- Waterproof.
- Can accommodate N35 rail & Spacers.

POLICY STATEMENT

"The performance of
our products must
exceed all others on
the world market"

KGM Praty
CEO

PRATLEY ECONO-BOX

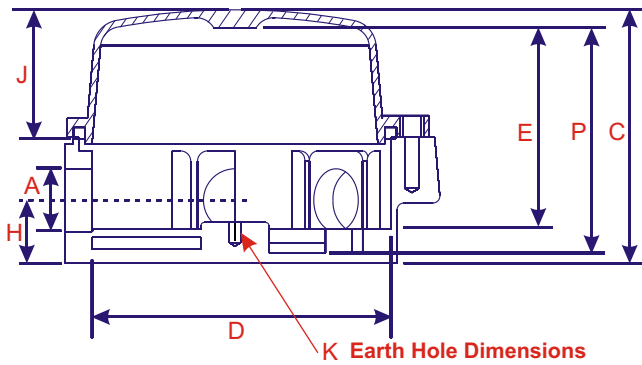
Sales
Leaflet
No. 021

Nov
2011

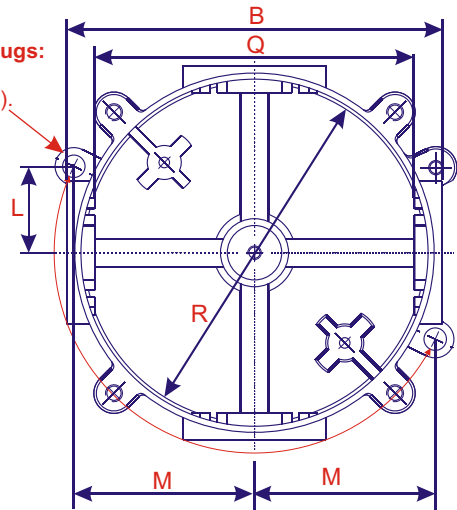
The Praty Econo-Box is designed and manufactured specifically with the needs of the contractor in mind. It is manufactured from tough engineering plastic and fitted with a raised dome lid which is held down by stainless steel screws, rendering the box tamper and waterproof. The junction box is manufactured complete with encapsulated internal earth, ensuring earth continuity between all gland entries.



DIMENSIONS & SPECIFICATIONS



2 Mounting Lugs:
(see PCD for mounting lugs).



Junction Boxes can be factory fitted with rail mounted terminals to customer specifications.

PRATLEY ECONO-BOX DIMENSIONS

RIGHT ANGLE ENTRY BOX

Size	A Entry Thread	B Across Entries	C Overall Heigh	D Internal Diam.	E Internal Depth	H Lid Heigh	J PCD for Mounting Lugs	K Tapped Earth Stud Hole	L	M	P	Q	R	
0	20 x 1.5P	100	78.5	87.8	59.6	20.5	37.5	108.8	M4 x 6.0	23.0	49.3	66.2	84	91.7
1	20 x 1.5P	110	83.4	98.0	66.1	21.6	40.0	117.7	M4 x 6.0	25.4	53.1	75.1	94	102.0
2	25 x 1.5P	134	98.2	122.5	80.1	26.3	44.8	145.0	M6 x 8.0	31.8	65.1	89.9	118	127.0

PRATLEY ECONO-BOX CAT. N^os

SIZE	BOX ENTRY THREAD	CONFIGURATION	C/W BLACK LID CAT. N ^o	C/W TRANSPARENT LID CAT. N ^o	USUAL PACK QTY
No. 0	20 mm x 1.5P	4 Way Right Angle	57250	57253	1
No. 1	20 mm x 1.5P	4 Way Right Angle	57251	57254	1
No. 2	25 mm x 1.5P	4 Way Right Angle	57252	57255	1

NOTE: When ordering specify Black or Transparent (Polycarbonate) see through lid.

PRATLEY ECONO-BOX LIDS

SIZE	BLACK LID CAT. N ^o	TRANSPARENT CAT. N ^o
No. 0	57225	57228
No. 1	57226	57229
No. 2	57227	57230

PRATLEY TUFFLON BLANKING PLUGS

SIZE	THREAD SIZE	CAT N ^o	USUAL PACK QTY
0-1	20mm	57800	10
2	25mm	57801	10

NOTE: Pratley Tufflon Blanking Plug (Must be ordered separately.)

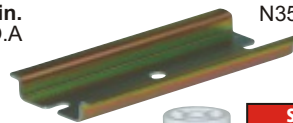


OPTIONAL FACTORY FITTED

Lid Securing Chain. P.O.A



N35 Mounting Rail



Spacers



SPACERS	
Size	Cat. No.
10 mm	30001
20 mm	30000

N35 MOUNTING RAIL

Box Size	Cat. No.
0	30110
1	30110
2	30111
3	30112
4	30112

Pratley (Pty) Limited (Reg. No. 1996/003890/07) An Affiliate of the Pratley Group of Companies

Jackson Street • Factoria • Krugersdorp • Gauteng - Telephone +27 11 955 2190/8 • Fax +27 11 955 3918
PO Box 3055, Kenmare 1745 • Gauteng • South Africa - e-mail: sales@pratley.co.za • www.pratley.com

