



BS EN ISO 9001 CERTIFIED

PRATLEY

www.pratley.com

Ex e GLAND for SWA Cable (Nickel Plated Brass)



Ex e COMPRESSION GLAND for Unarmoured Cable (Nickel Plated Brass)

CERTIFICATION



IA No MS/M395U

Ex e • IP68

IEC / SANS 60079-0
IEC / SANS 60079-7
IEC / SANS 60529

Suitable for use in
Zones:

1, 2, 20, 21 & 22 areas

FEATURES & BENEFITS

- Fully certified for use with Ex e Apparatus Zone 1, 2, 20, 21 & 22.
- IP 68 rated.
- Each gland accommodates a very wide range of cable sizes.
- Accessories available.

POLICY STATEMENT

"The performance of our products must exceed all others on the world market"

K.G.M. Pratley
CEO

Ex e GLAND For Armoured Cable

BRASS NIPPLE

Fixed high-tensile nipple permits very generous tightening.

LOCKNUT

Supplied complete with locknut. Larger sizes have castellated locknuts for ease of tightening. **NB!:** If using single core cable, specify Brass Locknuts when ordering. This is to prevent Eddy current heating.

STRETCH-ON INNER SEAL

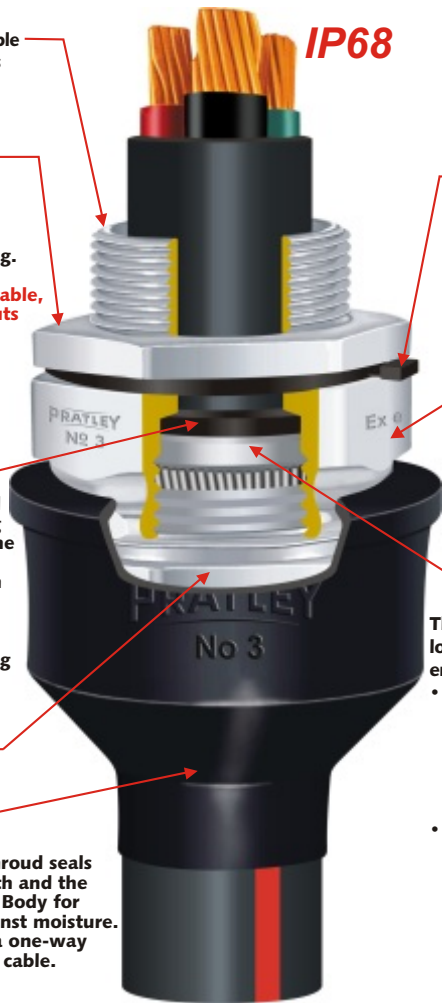
Specially formulated rubber, ensures long life IP68 seal onto the bedding. The inner seal also assists with assembly by conveniently holding the cone bush in position and ensuring a safe termination.

CONE NUT

Nickel plated brass.

WATERPROOFING SHROUD

The U.V. resistant shroud seals onto the cable sheath and the groove in the Gland Body for IP68 protection against moisture. It also functions as a one-way valve to self dry the cable.



IP68

GASKET
Special feathered gasket ensures IP68 seal integrity.

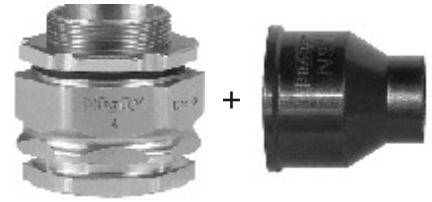
GLAND BODY
Strong, generously dimensioned nickel plated brass.

LOOSE CONE BUSH

This vastly superior loose cone design ensures:

- Automatic self centering under the armour wires to achieve the very best grip possible!
- The armour wires are held properly in position prior to and during assembly.

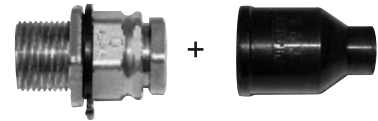
Pratley Ex e Cable Glands have fixed nipples and are supplied complete with Waterproofing Shroud, Inner Seal, Locknut and a Gasket. These glands are manufactured from nickel plated brass and are for use with SWA cable.



GLAND SELECTION CHART - Ex e CABLE GLAND				
Gland size	Catalogue Number	Nipple Thread	Min. Cable Bedding Dia.	Max. Cable Bedding Dia.
0s	21050	M20 x 1.5P	7.5 mm	8.0 mm
0	21100	M20 x 1.5P	8.0 mm	12.6 mm
1	21200	M20 x 1.5P	12.7 mm	15.7 mm
2	21300	M25 x 1.5P	15.8 mm	20.4 mm
3	21400	M32 x 1.5P	20.5 mm	26.3 mm
4	21500	M40 x 1.5P	26.4 mm	34.7 mm
5	21600	M50 x 1.5P	34.8 mm	43.3 mm
6	21700	M63 x 1.5P	43.4 mm	55.8 mm
7	21800	M75 x 1.5P	55.9 mm	67.5 mm
8	21810	M82 x 1.5P	67.6 mm	73.8 mm

Use catalogue Number when ordering.

Pratley no. 0 Ex e Cable Gland with extended Nipple & Shroud for SWA cable also available (See page 4).



Ex e COMPRESSION GLAND For Unarmoured Cable

BRASS NIPPLE

Fixed high-tensile brass nipple permits very generous tightening.

GLAND BODY

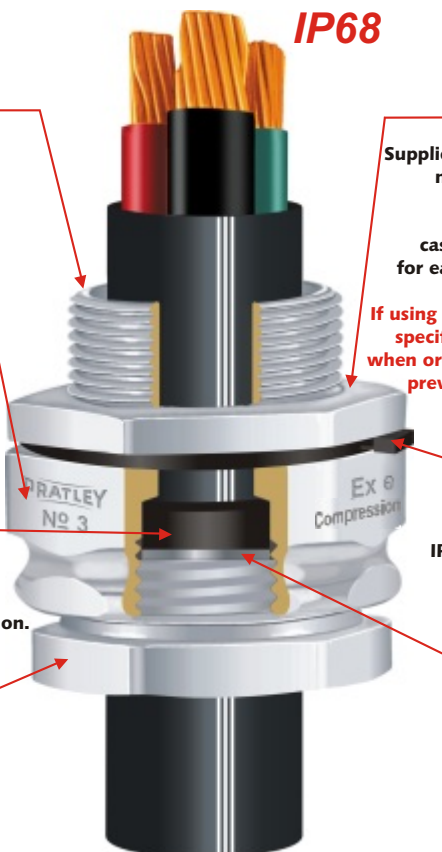
Strong, generously dimensioned nickel plated brass.

COMPRESSION BUSH

Wide dimensions spread the load and reduce cable distortion.

COMPRESSION NUT

Nickel plated brass.



IP68

LOCKNUT
Supplied complete with nickel plated steel locknut. Larger sizes have castellated locknuts for ease of tightening. **NB!:** If using single core cable, specify Brass Locknuts when ordering. This is to prevent Eddy current heating.

GASKET
Special feathered gasket ensures IP68 seal integrity.

SKIDWASHER

Pratley Ex e Compression Cable Glands have fixed nipples and are supplied complete with a Locknut and a Gasket. These glands are manufactured from nickel plated brass and are for use with unarmoured cable.

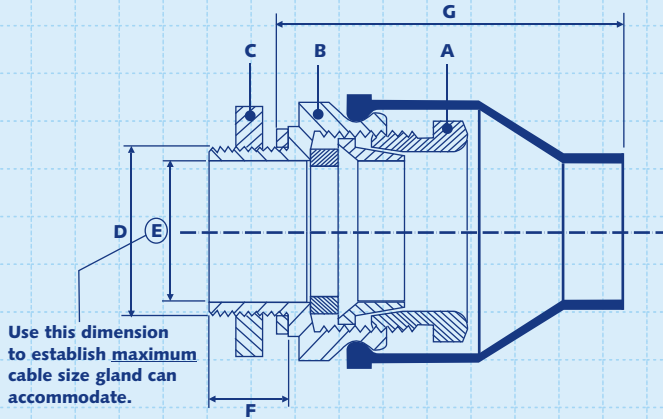


GLAND SELECTION CHART - Ex e COMPRESSION CABLE GLAND				
Gland size	Catalogue Number	Nipple Thread	Min. Cable Bedding Dia.	Max. Cable Bedding Dia.
*00	22186	M16 x 1.5P	4.0 mm	8.0 mm
*0s	22187	M20 x 1.5P	4.0 mm	8.0 mm
0	22188	M20 x 1.5P	8.0 mm	12.6 mm
1	22189	M20 x 1.5P	12.6 mm	15.7 mm
2	22190	M25 x 1.5P	15.7 mm	20.4 mm
3	22191	M32 x 1.5P	20.4 mm	26.3 mm
4	22192	M40 x 1.5P	26.3 mm	34.7 mm
5	22193	M50 x 1.5P	34.7 mm	43.3 mm
6	22194	M63 x 1.5P	43.3 mm	55.9 mm
7	22195	M75 x 1.5P	55.9 mm	67.5 mm
8	22196	M82 x 1.5P	67.5 mm	73.8 mm

Use catalogue Number when ordering.

DIMENSIONS & SPECIFICATIONS

Ex e GLAND For Armoured Cable



SPECIFICATION GUIDE

**Note: Specifiers may use this wording to specify the Pratley Ex e Gland.*

The Ex e Gland must:

- Be fully certified for use with Ex e apparatus according to IEC/SANS 60079-0 & 60079-7 specifications.
- Make use of a failsafe stretch-on inner seal.
- Have a self centering loose cone to ensure proper armour clamping.
- Must be manufactured with a groove on the main body to ensure a waterproof seal with the shroud when fitted.

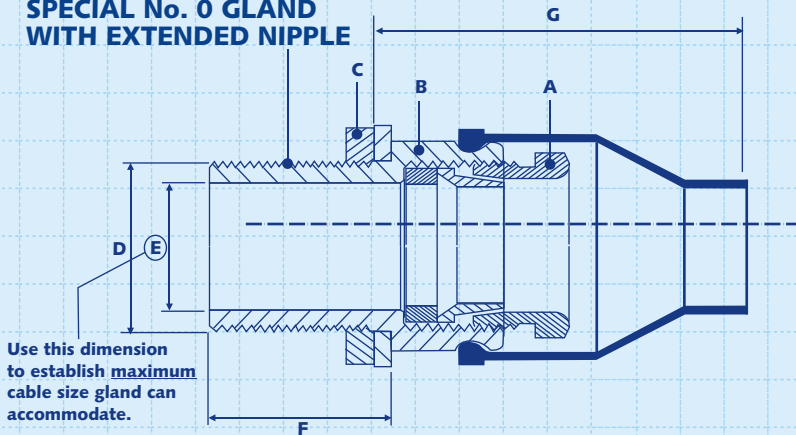
Ex e GLAND DIMENSIONS (mm)											
Gland size	0s	0	1	2	3	4	5	6	7	8	
A - Cone Nut	A/F	20.8	20.8	25.0	33.0	37.6	50.0	70.0	82.0	95.2	102.0
	A/C	23.2	23.2	28.7	36.9	42.0	55.9	77.7	90.0	105.4	108.0
B - Body	A/F	23.0	25.7	27.9	35.3	42.4	55.0	70.0	83.0	95.8	101.5
	A/C	25.6	29.6	31.1	39.0	47.0	61.3	77.7	91.8	108.3	114.2
C - Locknut	A/F	27.0	27.0	27.0	35.0	41.0	55.0	65.0	80.0	95.0	96.6
	A/C	30.1	30.1	30.2	39.4	46.4	62.2	75.0	92.4	109.7	111.5
D - Nipple Thread	M20 x 1.5P	M20 x 1.5P	M20 x 1.5P	M25 x 1.5P	M32 x 1.5P	M40 x 1.5P	M50 x 1.5P	M63 x 1.5P	M75 x 1.5P	M82 x 1.5P	
E - Nipple Bore		8.2	12.7	15.8	20.5	26.5	34.9	43.6	56.0	67.7	74.0
F - Nipple Length		12.0	12.0	12.0	13.0	15.0	18.0	19.0	19.0	25.0	25.0
G - Max. Protrusion		43.0	47.5	48.0	55.0	62.5	77.5	86.5	99.5	120	120
Overall Length		53.5	55	58.5	66	76	99	104	114	140	143

All dimensions in millimeters.

Ex e GLAND PACKAGING DATA										
Gland size	0s	0	1	2	3	4	5	6	7	8
Glands per pack	10	10	10	10	5	5	2	1	1 x Plastic Bag	1 x Plastic Bag
Bags per Carton	—	—	—	—	—	—	—	—	4	4
Pack Dim. (mm)	144 x 85 x 35	144 x 65 x 35	145 x 65 x 37	235 x 52 x 98	268 x 56 x 54	345 x 75 x 70	145 x 85 x 67	107 x 107 x 85	260 x 260 x 170	260 x 260 x 170
Weight (kg) / box	0.72	0.66	0.86	1.64	1.16	2.2	1.7	1.28	1.86/bag	2.07/bag

Ex e GLAND WITH EXTENDED NIPPLE No. 0

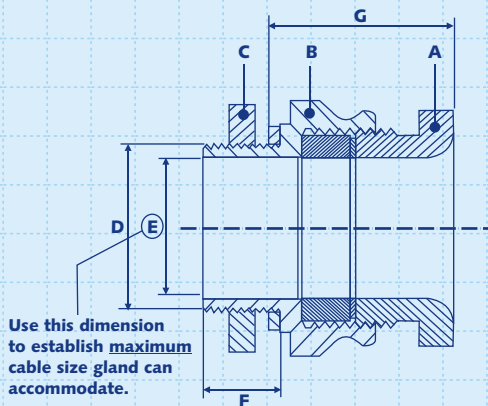
SPECIAL No. 0 GLAND WITH EXTENDED NIPPLE



No. 0 WITH EXTENDED NIPPLE DIMENSIONS (mm)		
Gland size		0
A - Cone Nut	A/F	20.8
	A/C	23.2
B - Body	A/F	23.4
	A/C	26.9
C - Locknut	A/F	27.0
	A/C	30.1
D - Nipple Thread		M20 x 1.5P
E - Nipple Bore		12.7
F - Nipple Length		21.0
G - Max. Protrusion		47.5
Overall Length		64.0

All dimensions in millimeters.

Ex e COMPRESSION GLAND For Unarmoured Cable



DIMENSIONS (mm)												
Gland size		00	0s	0	1	2	3	4	5	6	7	8
A - Compression Nut	A/F	20.8	20.8	23.0	25.7	33.0	37.6	50.0	63.0	79.0	90.0	95.2
	A/C	23.4	23.4	25.8	28.8	36.8	42.0	55.8	70.0	88.0	100.0	105.0
B - Body	A/F	23.0	22.0	25.7	27.9	35.3	42.4	55.0	70.0	80.0	95.0	95.2
	A/C	25.6	25.4	29.6	31.1	39.0	47.0	61.3	77.7	88.8	103.0	105.5
C - Locknut	A/F	19.0	27.0	27.0	27.0	35.0	41.0	55.0	65.0	80.0	90.0	95.5
	A/C	21.9	30.1	30.1	30.2	39.4	46.4	62.2	75.0	88.8	100.0	105.5
D - Nipple Thread		M16 x 1.5P	M20 x 1.5P	M20 x 1.5P	M20 x 1.5P	M25 x 1.5P	M32 x 1.5P	M40 x 1.5P	M50 x 1.5P	M63 x 1.5P	M75 x 1.5P	M82 x 1.5P
E - Nipple Bore		8.2	8.2	12.7	15.8	20.5	26.5	34.9	43.6	56.0	67.7	74.0
F - Nipple Length		10.0	12.0	12.0	12.0	13.0	15.0	18.0	19.0	19.0	25.0	25.0
G - Max. Protrusion		26.0	27.0	25.5	24.5	32.5	34.5	43.5	48.5	50.4	56.1	59.1
Overall Length		34.0	34.0	35.5	34.5	43.5	48.0	60.0	65.5	67.8	79.5	82.5

All dimensions in millimeters.

SPECIFICATION GUIDE

**Note: Specifiers may use this wording to specify the Pratley Ex e Compression Gland.*

The Ex e Compression Gland must:

- Be fully certified for use with Ex e apparatus according to IEC/SANS 60079-0 & 60079-7 specifications.
- Make use of a broad non wick-back compression bush to spread the load and prevent damage to the cable insulation.
- Have a male threaded compression nut.
- Manufactured from nickel plated brass.

PACKAGING DATA											
Gland size	00	0s	0	1	2	3	4	5	6	7	8
Glands per pack	10	10	10	10	10	5	5	2	1	1	1
Bags per Carton	N/A	N/A	N/A	N/A	N/A	N/A	N/A	N/A	1 x Plastic Bag	1 x Plastic Bag	1 x Plastic Bag
Pack Dim. (mm)	144 x 65 x 35	144 x 65 x 35	144 x 65 x 35	145 x 65 x 37	185 x 85 x 45	215 x 50 x 50	285 x 65 x 60	145 x 85 x 67	260 x 260 x 170	260 x 260 x 170	260 x 260 x 170
Weight (kg) / box	0.68	0.82	0.80	0.78	1.66	1.1	2.3	1.62	—	—	—

PRATLEY Ex e GLANDS & ACCESSORIES

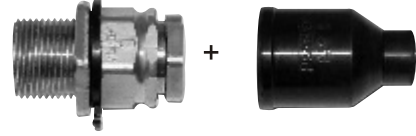
PRATLEY Ex e GLANDS (NICKEL PLATED BRASS)

PRATLEY Ex e GLAND

For SWA cables, Pratley Exe Cable Glands have fixed nipples and are supplied with Shrouds, Inner Seals, Locknut and a Gasket. Fully certified to SANS and IEC specifications for use with Ex e apparatus in Zone 1, 2, 20, 21 & 22 areas. Also IP68.



PRATLEY Ex e GLAND WITH EXTENDED NIPPLE & SHROUD For SWA Cables



A no. 0 gland with a special extended nipple is also available and is supplied with Shroud, Inner Seal, Locknut and a Gasket. Fully certified to SANS and IEC specifications for use with Ex e apparatus in Zone 1, 2, 20, 21 & 22 areas. Also IP68.

PRATLEY Ex e GLAND WITH EXTENDED NIPPLE	
Gland size	0
Nipple Thread	M20
Nipple Length	21.0
Catalogue No.	21110
Usual Pack Qty	10

PRATLEY Ex e GLAND (NICKEL PLATED BRASS)										
Gland size	0s	0	1	2	3	4	5	6	7	8
Nipple Thread	M20	M20	M20	M25	M32	M40	M50	M63	M75	M82
Catalogue No.	21050	21100	21200	21300	21400	21500	21600	21700	21800	21810
Usual Pack Qty	10	10	10	10	5	5	2	1	1	1

PRATLEY Ex e COMPRESSION GLANDS (NICKEL PLATED BRASS)

PRATLEY Ex e COMPRESSION GLAND

For circular unarmoured cables. The Pratley Exe Compression Cable Gland has a fixed nipple and is supplied with Locknut and a Gasket. Fully certified to SANS and IEC specifications for use with Ex e apparatus in Zone 1, 2, 20, 21 & 22 areas. Also IP68.



PRATLEY Ex e COMPRESSION GLAND (NICKEL PLATED BRASS)											
Gland size	00	0s	0	1	2	3	4	5	6	7	8
Nipple Thread	M16	M20	M20	M20	M25	M32	M40	M50	M63	M75	M82
Catalogue No.	22186	22187	22188	22189	22190	22191	22192	22193	22194	22195	22196
Usual Pack Qty	10	10	10	10	10	5	5	2	1	1	1

ACCESSORIES FOR Ex e GLANDS

COMPRESSION KIT FOR INSTRUMENTATION CABLE

No. 0sxs kit reduces the capacity of No. 0s & 00 Ex e Compression Gland to accommodate 3 - 6 mm diameter instrumentation cable.



PRATLEY No. 0sxs COMPRESSION KIT FOR SIZE No. 0S & 00	
Gland size	0sxs
Catalogue No.	13070
Usual Pack Qty.	10

NIPPLE SEALING GASKETS

Tough plastic gaskets incorporate a special face "feather" for perfect sealing.

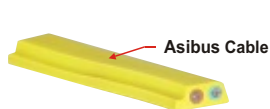


TOUGH PLASTIC GASKETS (Black)						
Gasket size	16mm	20mm	25mm	32mm	40mm	50mm
Catalogue No.	39008	39001	39002	39003	39004	39005

Gasket size	63mm	75mm	Pg.13.5	Pg.16	Pg.21	Pg.29
Catalogue No.	39006	39007	39012	39010	39013	39014
Usual Pack Qty.	100	100	100	100	100	100

PRATLEY ASIBUS COMPRESSION BUSH

Replacement Bush for use in a Pratley No. 0 Ex e Brass Compression Gland.



PRATLEY ASIBUS COMPRESSION BUSH	
Gland size	0
Catalogue No.	13069
Usual Pack Qty.	10

WATERPROOFING SHROUDS

- Halogen free
- IP68
- Exceptional UV resistance
- Elasticity retention
- Excellent chemical resistance



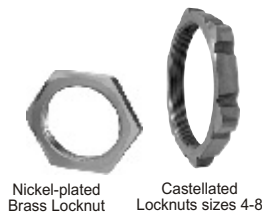
By effectively outer sealing the gland, Pratley shrouds prevent the ingress of moisture and consequent corrosion of armour wires. This ensures a permanent earth path and improved safety! Their totally unique design also self-dries the cable via a one-way vapour release valve action.

Standard Shrouds for indoor and outdoor installations. **Long Shrouds** completely cover the gland and also seal onto the apparatus for "Belt & Braces" sealing

BRASS LOCKNUTS

If using single core cable a brass locknut should be used. This is to prevent Eddy current heating.

Brass locknuts are available for all the gland sizes.



PRATLEY NICKEL-PLATED BRASS LOCKNUTS										
Size	00	0	1	2	3	4	5	6	7	8
Nipple Thread	16mm	20mm	20mm	25mm	32mm	40mm	50mm	63mm	75mm	3 1/4"
Catalogue No.	02879	02880	02880	02882	02883	02884	02885	02886	02118	02119

PRATLEY WATERPROOFING SHROUDS										
Size	0	1	2	3	4	5	6	7	8	
Cat. No. (Standard)	03010	03011	03012	03013	03014	03015	03016	03017	03017	03017
Usual Pack Qty.	20	20	20	20	20	20	10	10	10	10
Cat. No. (Long)	N/A	59011	59012	59013	59014	59015	59016	59017	59018	59018
Usual Pack Qty.	N/A	20	20	20	10	10	10	10	10	10